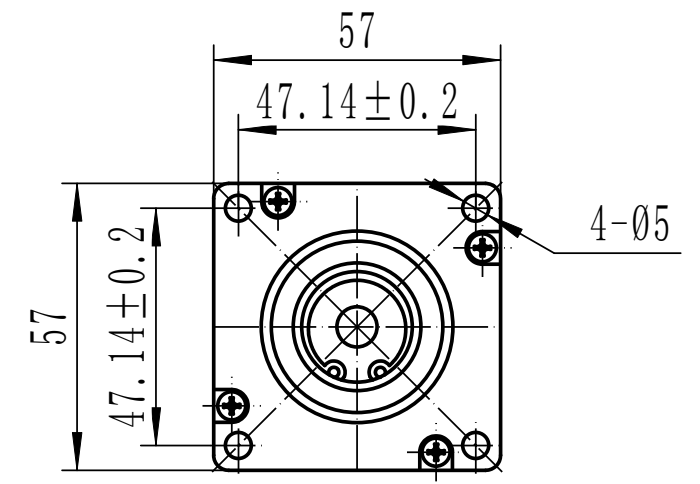
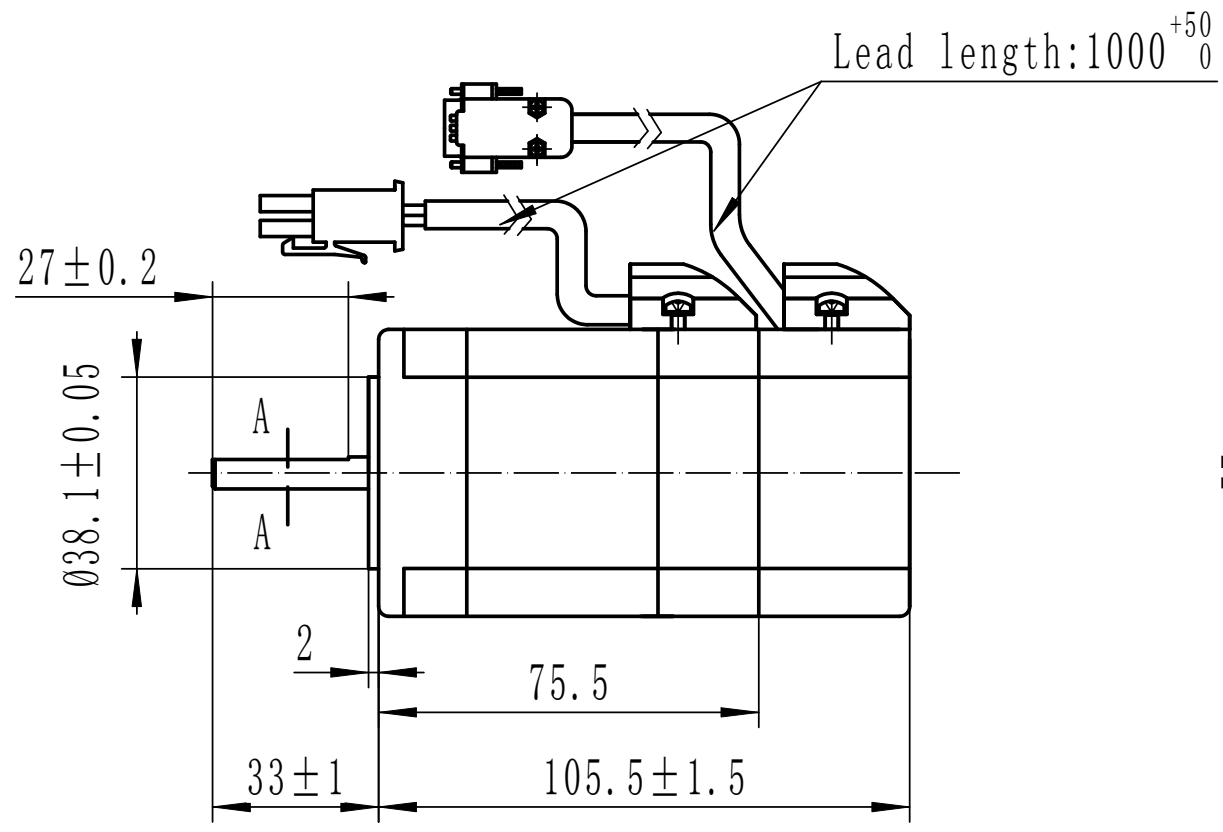
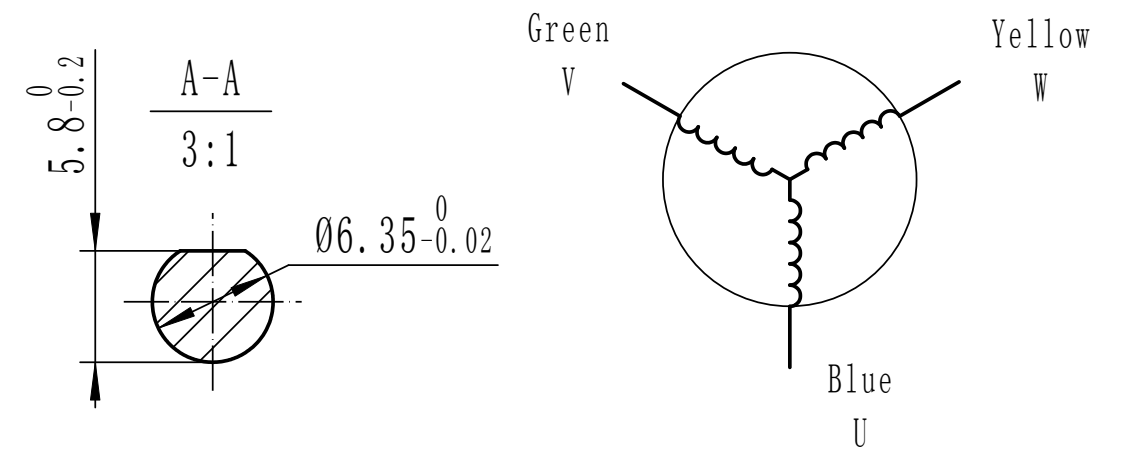


Encoder HEDS-9140#B00
Voltage: +5VDC ±10%
Current: 100mA Max
Frequency: 0-100KHz
Temp.: -40-100° C
Pulse: 1000
Encoder Output
A
\bar{A}
B
\bar{B}
Z
\bar{Z}
Rotation CCW form shaft side



Winding Configuration



Voltage	V	36
No load speed	rpm	4100 ±10%
No load current	A	0.45 ±0.2
Rated Speed	rpm	3000 ±10%
Rated Torque	N · m	0.3
Rated Current	A	3.6 ±1
Peak Torque	N · m	0.8
Torque Constant	N · m/A	0.08
Phase R(L-L)	ohm	1.2 ±10%
Phase H(L-L)	mH	1.2 ±10%
Weight	Kg	0.9
Axial Force	N	15
Radial Force From Flange 20mm	N	75

TIMING DIAGRAM		
0° 90° 180° 270° 360° 450° 540°		
HALL A		
HALL B		
HALL C		
PHASE U-V		
PHASE V-W		
PHASE W-U		
Direction of Rotation: CW (Viewed from flange)		

Encoder Connection: DSUB HD 15pin Male Connector															Molex Mini-Fit Jr 4pin				
1	2	3	4	5	6	7	8	9	10	11	12	13	14	15	Shell	1	2	3	4
A	A-	B	B-	Z	Z-	+5V	GND	N/C	N/C	N/C	HALL A	HALL B	HALL C	N/C		V	U	W	N/C
BLU/BLK	YEL/BLK	GRN/BLK	WHI/BLK	BLK/WHI	YEL	RED	BLK	/	/	/	BLU	GRN	WHI	/	SHIELD	GRN	BLU	YEL	/
Outline Drawing TM-BSVM-23-2-R16000															REV 002-2 1:1.5				
																			M