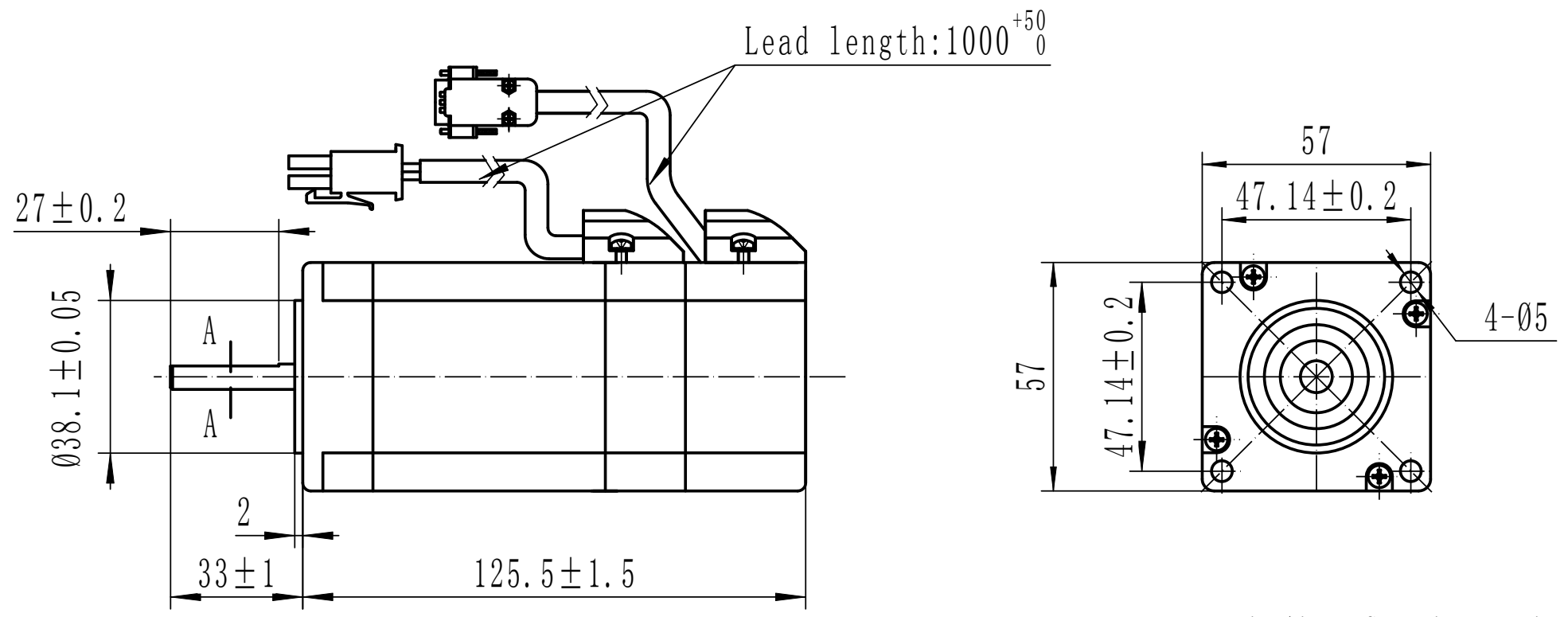
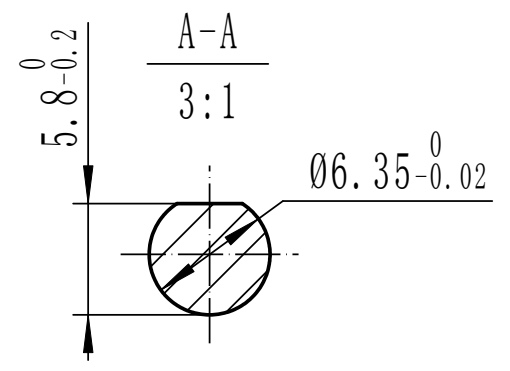
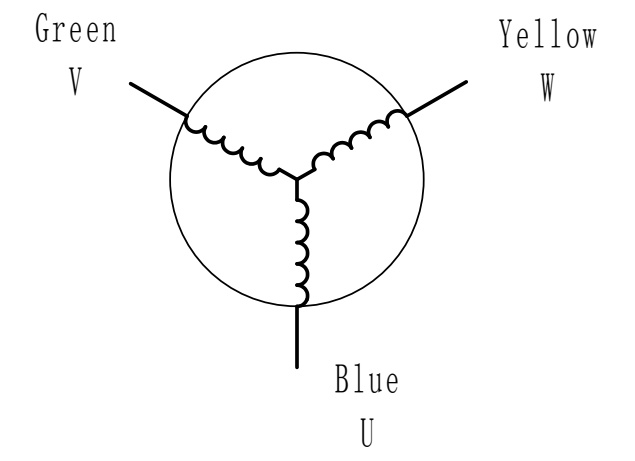


Encoder HEDS-9040#B00	
Voltage: +5VDC ±10%	
Current: 100mA Max	
Frequency: 0-100KHz	
Temp.: -40-100° C	
Pulse: 1000	
Encoder Output	
A	
Ā	
B	
B̄	
Z	
Z̄	
Rotation CCW form shaft side	



Winding Configuration



Voltage	V	36
No load speed	rpm	4100 ±10%
No load current	A	0.55 ±0.2
Rated Speed	rpm	3000 ±10%
Rated Torque	N·m	0.45
Rated Current	A	5.4 ±1
Peak Torque	N·m	1.1
Torque Constant	N·m/A	0.08
Phase R(L-L)	ohm	0.82 ±10%
Phase H(L-L)	mH	0.84 ±10%
Weight	Kg	1.2
Axial Force	N	15
Radial Force From Flange 20mm	N	75

TIMING DIAGRAM		
0° 90° 180° 270° 360° 450° 540°		
HALL A		
HALL B		
HALL C		
PHASE U-V		
PHASE V-W		
PHASE W-U		
Direction of Rotation: CW (Viewed from flange)		

Encoder Connection: DSUB HD 15pin Male Connector															Molex Mini-Fit Jr 4pin				
1	2	3	4	5	6	7	8	9	10	11	12	13	14	15	Shell	1	2	3	4
A	A-	B	B-	Z	Z-	+5V	GND	N/C	N/C	N/C	HALL A	HALL B	HALL C	N/C		V	U	W	N/C
BLU/BLK	YEL/BLK	GRN/BLK	WHI/BLK	BLK/WHI	YEL	RED	BLK	/	/	/	BLU	GRN	WHI	/	SHIELD	GRN	BLU	YEL	/
Outline Drawing TM-STPM-23-3-R4000															REV 002-2 1:1.5				
																			M